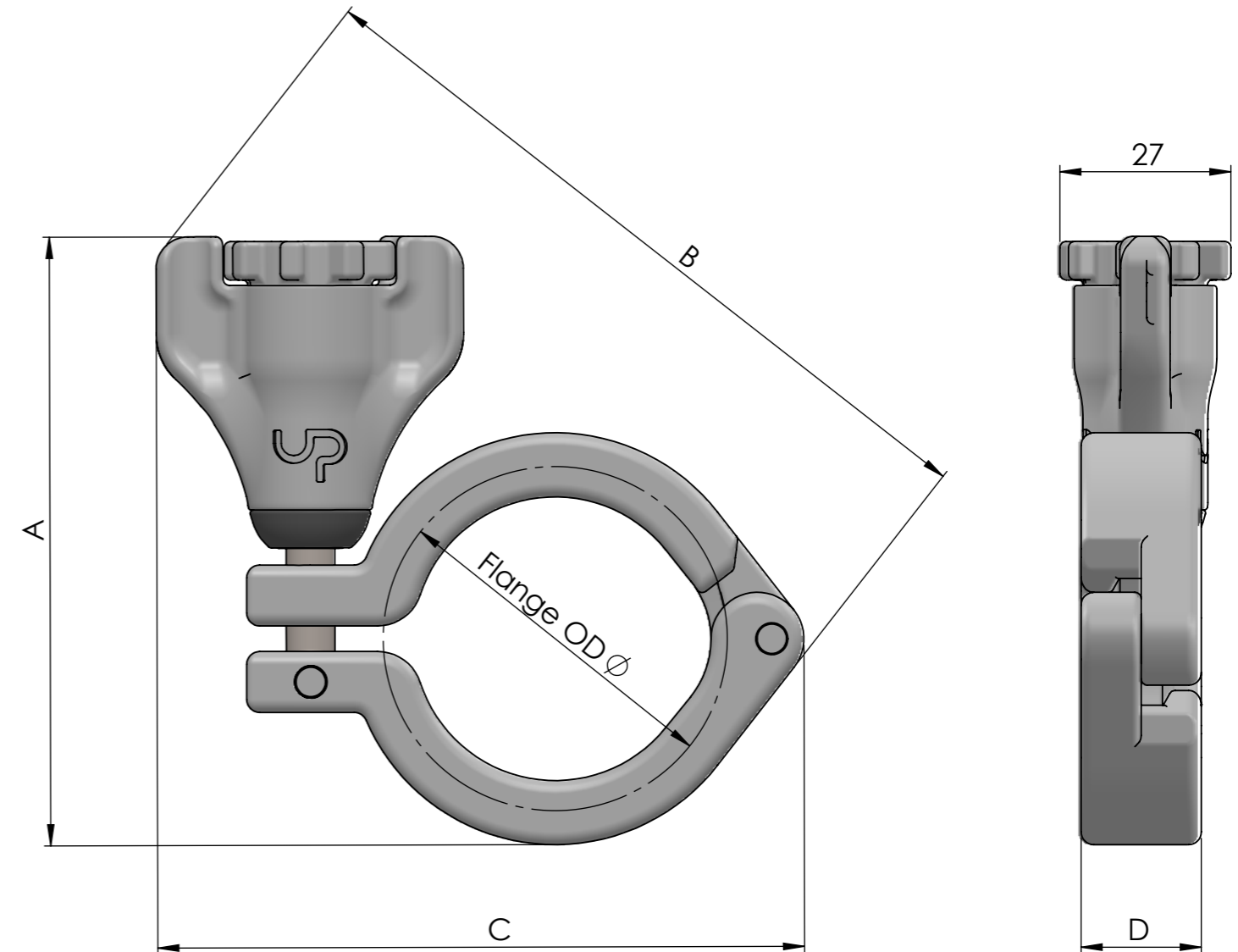


PART NO.	FLANGE OD	A	B	C	D
13LAH-050/75-EASY	22	83	95	70	19
13LAH-034-EASY	34	86	106	87	19
13LAH-100/150-EASY	50.5	95	118	101	19
13LAH-200-EASY	64	102	133	118	19
13LAH-250-EASY	77.5	109	145	131	19
13LAH-300-EASY	91	115	148	143	19
13LAH-400-EASY	119	128	180	170	19
13LAH-600-EASY	167	164	239	230	25



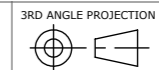
**UP Ultrapharma**

info@ultrapharma.com De Droogmakerij 12 The Netherlands  
www.ultrapharma.com 1851LX Heiloo Tel.: +31 856 200 900

CONFIGURATION  
See Table

DESCRIPTION:  
EAZY-CLAMP®

The information contained in this drawing is the sole property of Ultrapharma BV. Any reproduction in part or as a whole without written permission of Ultrapharma BV is prohibited.



UNITS:  
mm

SCALE:  
1:1

SHEETSIZE  
A3